

Date of Issuance: 8/19/2024  
 Owner: City of Earlham  
 Contractor: Blue Ribbon Builders  
 Engineer: Shive-Hattery, Inc.  
 Project: Earlham Lagoon Upgrades

Effective Date:  
 Owner's Contract No.:  
 Contractor's Project No.:  
 Engineer's Project No.: 3201860  
 Contract Name:

The Contract is modified as follows upon execution of this Change Order:

Description:

1 – Add Grating in Fine Screen Channel.....\$3866.00 Add

**Total.....\$3,866.00 Add**

Attachments: Change Order Detail, BRB FSB Additional Grating Quote, Bix Fabrication Backup Quote

CHANGE IN CONTRACT PRICE	CHANGE IN CONTRACT TIMES <i>[note changes in Milestones if applicable]</i>
Original Contract Price: \$ 3,951,100.00	Original Contract Times: Substantial Completion: <u>December 1, 2023</u> Ready for Final Payment: <u>February 1, 2024</u> days or dates
[Increase] [Decrease] from previously approved Change Orders No. <u>1</u> to No. <u>1</u> : \$ 5785.74	[Increase] [Decrease] from previously approved Change Orders No. <u>  </u> to No. <u>  </u> : Substantial Completion: <u>N/A</u> Ready for Final Payment: <u>N/A</u> days
Contract Price prior to this Change Order: \$ 3,956,885.74	Contract Times prior to this Change Order: Substantial Completion: <u>December 1, 2023</u> Ready for Final Payment: <u>February 1, 2023</u> days or dates
[Increase] [Decrease] of this Change Order: \$ 3,866.00	[Increase] [Decrease] of this Change Order: Substantial Completion: <u>N/A</u> Ready for Final Payment: <u>N/A</u> days or dates
Contract Price incorporating this Change Order: \$ 3,960,751.74	Contract Times with all approved Change Orders: Substantial Completion: <u>December 1, 2023</u> Ready for Final Payment: <u>February 1, 2023</u> days or dates

RECOMMENDED:

ACCEPTED:

ACCEPTED:

By: <u>Jami A. Wilcap</u>	By: _____	By: _____
Engineer (if required)	Owner (Authorized	Contractor (Authorized Signature)
Title: _____	Title: _____	Title: _____
Date: <u>08/19/2024</u>	Date: _____	Date: _____

Approved by Funding Agency (if applicable)

By: \_\_\_\_\_ Date: \_\_\_\_\_  
 Title: \_\_\_\_\_

Change Order 2 - Detail

Item #	Description	Reason	Cost
1	Add grating in the fine screen channel under the fine screen equipment.	Grating for this area was not shown on the construction documents. The fine screen equipment is over the channel at this location. It was noted by the architect during the punchlist visit that the channel was open. The additional grating will protect personnel in the building from falling into the channel.	\$ 3,866.00
			\$ 3,866.00



# Bix Fabrication & Welding, Inc.

2725 I Ave  
 Coin, IA 51636  
 712-583-3344

TO: BLUE RIBBON  
 BUILDERS

ATTN:	JOB	PAYMENT TERMS	DUE DATE
Estimating	Earlham Lagoons	30 Days	When Required

QTY	DESCRIPTION	UNIT PRICE	LINE TOTAL
13 + SQ FT	1-1/4" W19 galvanized grating. Provided in 2 pieces		
4	Galvanized support angles. (2) 4 x 4 x 3/8" at ends, 3 x 3 x 1/4" at far side, 4 x 4 x 1/4" with a 3 x 3 x 1/4" angle for existing grating support. All attached with 1/2" x 5-1/2" SS wedge anchors.		
	Total		\$ 2,696.00
	Shop submittal drawings		\$ 450.00
	Total with shop drawings		\$ 3,146.00
	-Shop and erection drawings are included ***Lead time on shop drawings are 2-3wks from PO***  -Freight to the jobsite is included		
	*Please Read Exclusions*		

	<p><b><u>Exclusions:</u></b></p> <ul style="list-style-type: none"> <li>-Installation</li> <li>-Field Measuring</li> <li>-Field Welding</li> <li>-PE Stamps, SE Stamps</li> <li>-Inspections</li> <li>-Tax</li> </ul>	<ul style="list-style-type: none"> <li>-Top coat paint</li> <li>-Anodizing</li> <li>-Rebar</li> <li>-Light gauge framing</li> </ul>	
		SUBTOTAL	
		SALES TAX	Exempt
		<b>TOTAL</b>	<b>\$ 3,146.00</b>

\*Quote is good for 30 days.\*

Quoted By:

**Terms & Conditions:**

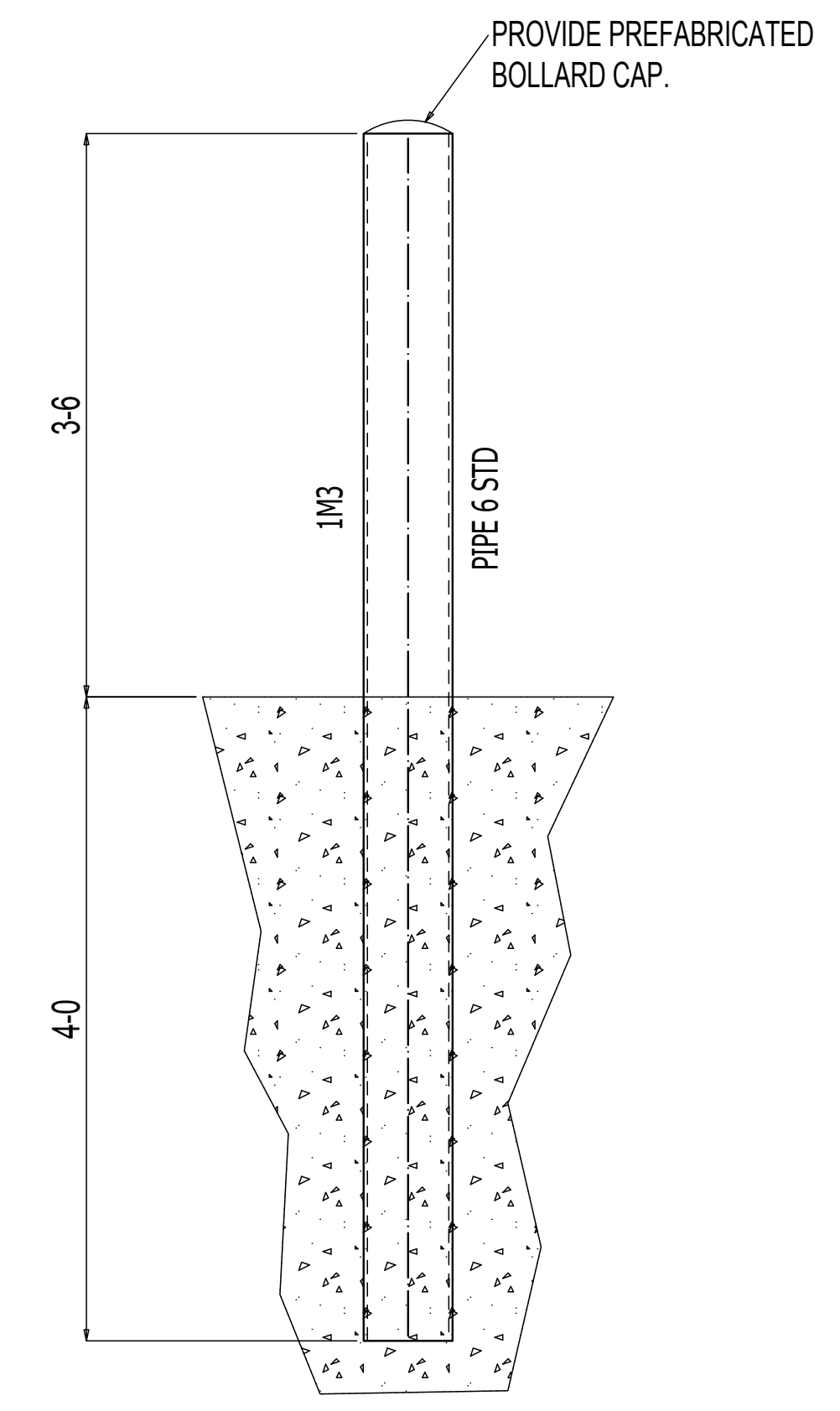
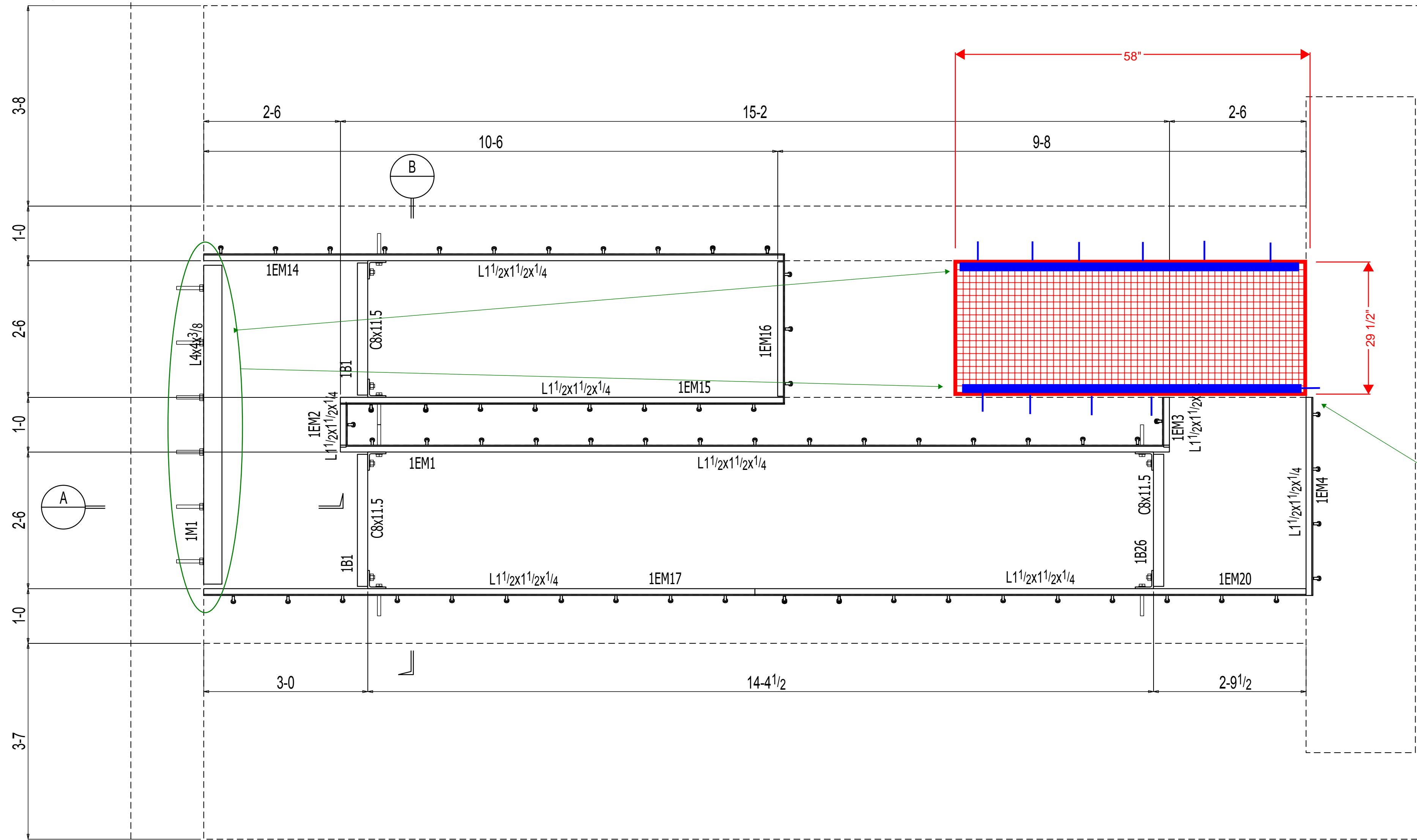
- Invoices are due in full net 30 upon receipt.
- 2% monthly fee may be applied on all outstanding invoices.
- Progress is dependent on current work load at the time.
- If changes are made to plans, or field conditions differ from plans, we reserve the right to change our price after acceptance.
- Work will not begin until signed quote is received.

Accepted by: \_\_\_\_\_

Company: \_\_\_\_\_

Date: \_\_\_\_\_

IM3  
PIPE 6 STD  
SEE BOLLARD DETAIL  
4-REQ'D

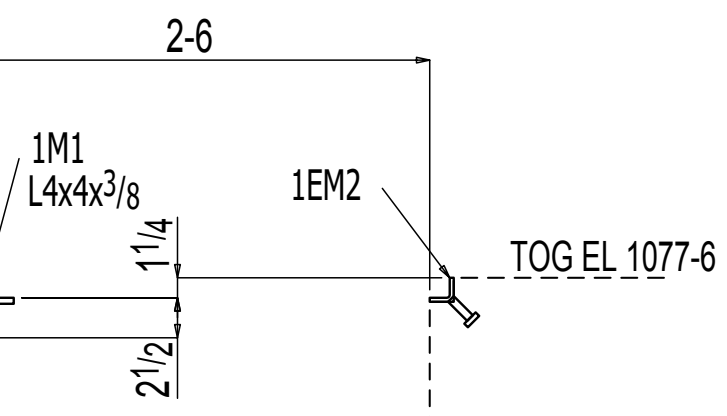


**BOLLARD DETAIL**  
REF: A2/C502  
(FIELD LOCATE)

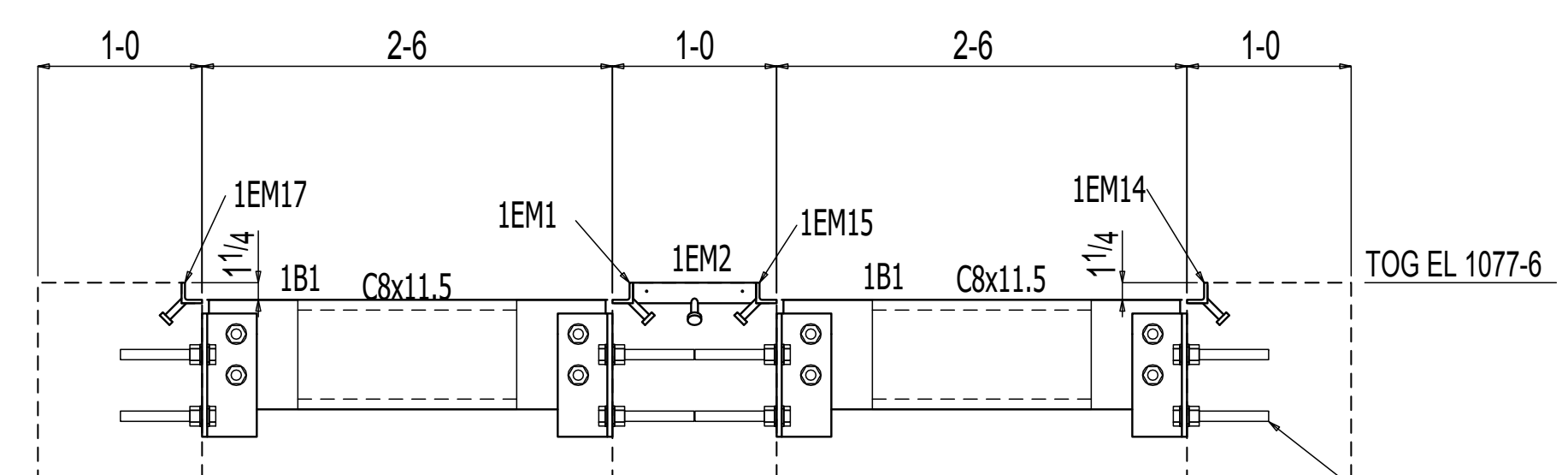
End mount on  
angel to fasten  
to wall

**FINE SCREEN BUILDING FRAMING PLAN**

TOP OF GRATING EL = 1077-6  
REF: 1/S100



**SECTION A**  
REF: 3/S200



**SECTION B**  
REF: 1/S200

HAS-R 316 SS 3/4x10  
STAINLESS STEEL  
w/HY200 ADHESIVE  
@ 12" O.C.  
EMBED 4

HAS-R 316 SS 3/4x10  
STAINLESS STEEL  
w/HY200 ADHESIVE  
EMBED 4  
TYP

**BIX FABRICATION & WELDING**  
2725 I AVE  
COIN, IA 51636

JOB: EARLHAM LAGOON UPDATES  
LOCATION: EARLHAM, IA  
CUSTOMER: BLUE RIBBON BUILDERS

REV	DATE	DESCRIPTION	DR. BY	CHKD
0	Jan 13 2023	FOR FIELD USE	SC	BT
A	Oct 10 2022	FOR APPROVAL	SC	BT

DWG. REF: 2022-18  
SHEET NO. 1E2